



Front bumper mounting on high GVW 4x4 utility vehicles.

RAMSEY RPH 53.3 5.4 Tonne Planetary Hydraulic Winch

Commercial Recovery

This rugged machine is perfect when fast line speeds are required, designed to be either foot or side mounted.

The perfect machine for heavy recovery and for front bumper mounting on high GVW 4x4 utility vehicles. Fully compliant with EN 14492-1 regulations.

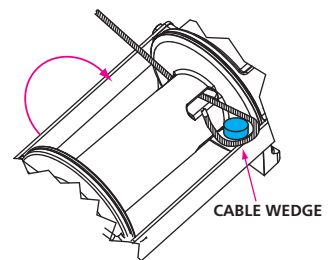
FEATURES INCLUDE

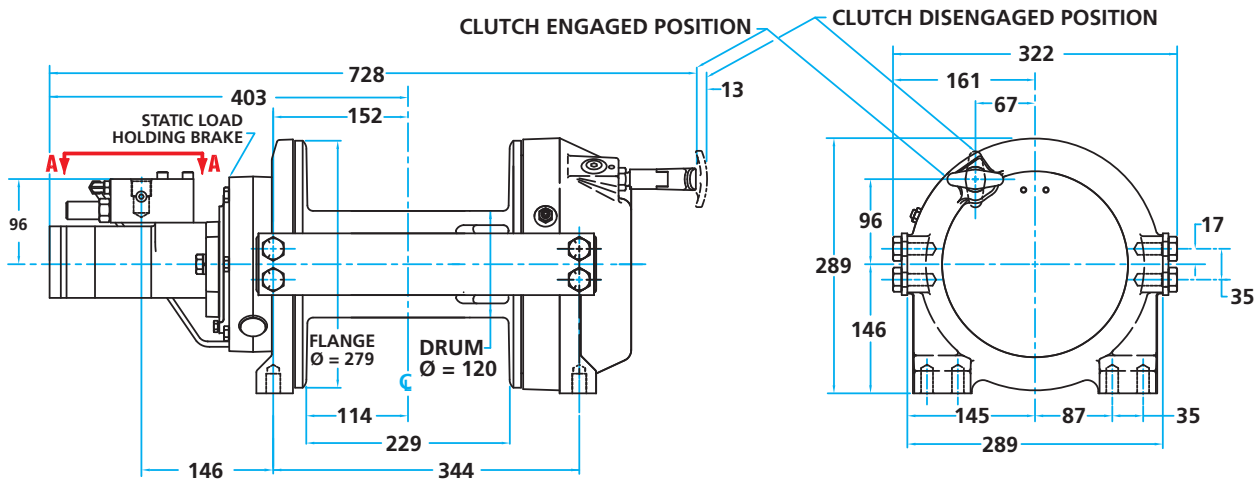
- **5436kgf line pull**
Rated line pull of 53.3 kN on first layer
- **EN 14492-1 compliant**
- **Fast recovery speeds**
Up to 14.5m per minute on 5th layer
- **Bi-rotational drum**
Clockwise and counter clockwise as required
- **Wedge pocket rope anchor on drum**
Major safety benefit - prevents rope release from drum fixing
- **Heavy duty roller guide assembly**
With greaseways and large diameter rollers
- **Suitable for foot or side mounting**
- **Dual braking system**
Mechanical brake and counterbalance valve
- **Weight only 131Kg**
(171kg with rope and roller guides)
- **After sales service**
Technical advice given on winch fitting and component replacement, plus efficient overnight parts despatch and fast repairs.

ADDITIONAL EQUIPMENT & SERVICES

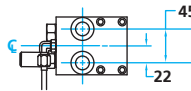
- Air shift freespool clutch with remote activation and positive engagement indicator light.
- Radio control system to give flexibility in operating the winch up to 40m distance.
- Wire Rope – up to 50m x 12mm dia. (1960N/mm² grade) fully galvanised flexible, crush resistant with heavy duty safety hook.
- Heavy duty Electric / pneumatic control valve with manual lever, including 7m wanderlead control, heavy duty 16 amp socket, electrical control system with all wiring in Armaflex protection. Also includes dump valve with emergency stop button ensuring compliance with EU machinery directives.
- Hydraulic oil reservoir tank with filter sight gauge and filler cap, PTO and pump.
- Full or partial fitting can be provided, including load testing and certification.

SECURE WIRE ROPE ANCHORAGE

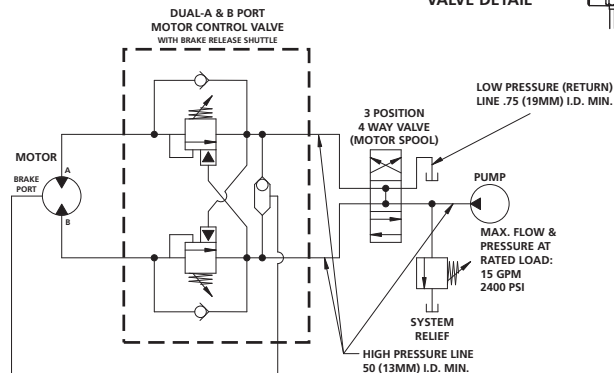




VIEW A - A
MOTOR CONTROL
VALVE DETAIL



PRESSURE IN GIVES ANTI-CLOCKWISE
DRUM ROTATION VIEWED FROM MOTOR END
PRESSURE IN GIVES CLOCKWISE
DRUM ROTATION VIEWED FROM MOTOR END



		LAYER				
		1	2	3	4	5
Maximum Rated Line Pull by Layer	kN kgf	53 5436	45 4590	38 3880	33 3300	30 3100
RPH 53.3 Rope Capacity Cumulative by Layer (13mm Dia. Wire Rope)	m	7	16	26	36	50
*Line Speed at 56 l/min	m/min	9	10	12	13	14.5

* Based on recommended 13mm wire rope, 1960N/mm² grade and 328cc / rev. motor.

SPECIFICATIONS

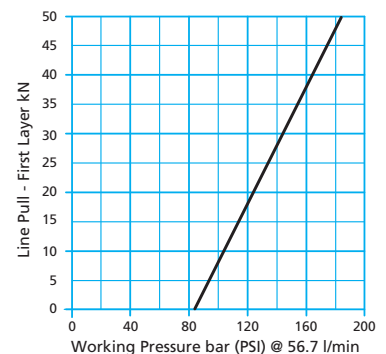
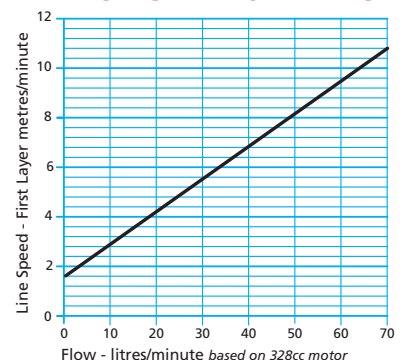
- Rated Line Pull:** 53.3kN (5436kgf). EN 14492-1 compliant
- Line Speed:** 9m/min at 56 l/min. on 1st layer, 14.5m/min. on 5th layer
- Wire Rope Capacity:** 13mm diameter x up to 50m length (1960N/mm² grade, 6 x 36 wire core construction - recommended)
- Weight:** Weight of machine: 131kg. Weight of kit with roller guides and wire rope: 171kg
- Gear Reduction:** 7.7:1
- Winch Construction:** Die cast aluminium end housings with steel drum
- Brake:** Disc brake and counter balance valve providing full 100% braking
- Motor:** Low speed, high torque. 328cc/rev
- Freespooling:** Spring loaded lever. Option: Air activated clutch using remote switch with engagement indicator light
- Drum:** 120mm diameter x 229mm length with wedge pocket rope anchor. Flange diameter 274.9mm
- Drum Rotation:** Clockwise, or anti-clockwise rotation as required
- Roller Guides:** Heavy duty commercial type with large diameter rollers and greaseways

NOTE: An open centre motor spool type control valve must be used (all ports open to tank in neutral).

NOTES

- These winches must not be used for the movement of personnel and 5 wraps of wire rope must be maintained on the drum.
- Data shown is approximate and intended as a guide only.

HYDRAULIC PERFORMANCE



WARRANTY

- Each new winch is guaranteed against defects in workmanship and material defects for a period of twelve months from date of purchase.
- Wire ropes are not included under warranty.

Bushey Hall Winchmaster sales@bhwwgroup.co.uk www.bhwwgroup.com

Southern Office: Lismirrane Industrial Park, Elstree Road, Elstree, Herts, WD6 3EE Tel: +44 (0)20 8953 6050 Fax: +44 (0)20 8207 5308

Northern Office: 6 South Orbital Trading Park, Hedon Road, Hull, East Yorkshire, HU9 1NJ Tel: +44 (0)1482 223 663 Fax: +44 (0)1482 218 285

Bushey Hall Winchmaster is a division of BHW Group Limited. Registered in England No. 1342461



CERT. No. 1769