

RAMSEY RPH 133.4 13.6 Tonne Planetary Hydraulic Winch

Heavy Duty Commercial Recovery and Pulling of Loads

This rugged machine is perfect for under floor lift and rotator vehicles for the heavy duty recovery of larger casualty vehicles.

Fully compliant with EN 14492-1 regulations.

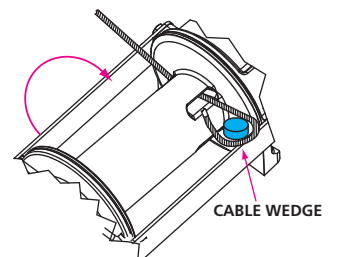
FEATURES INCLUDE

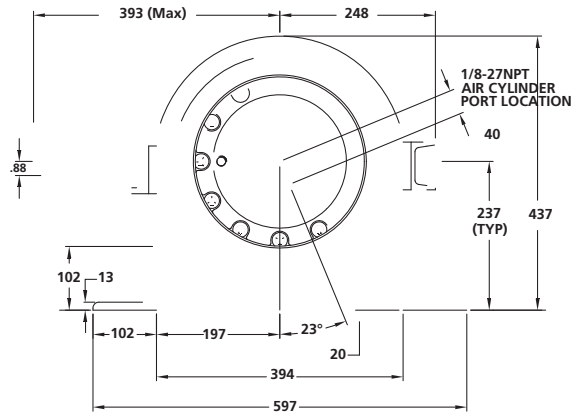
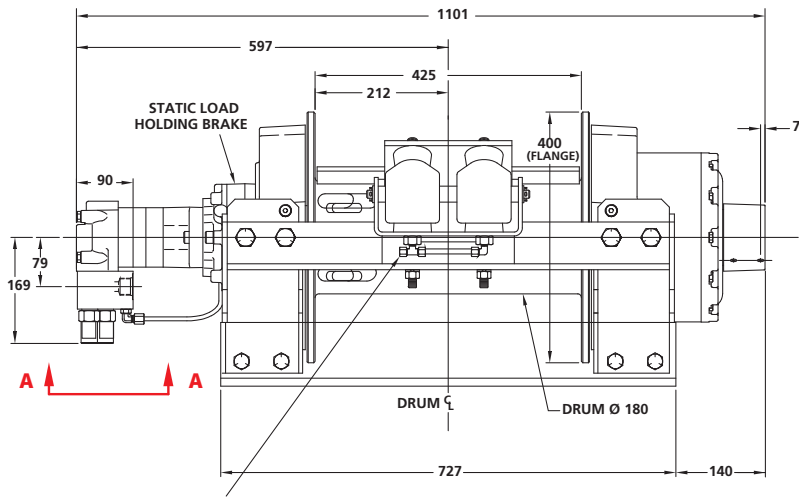
- **13,600kgf line pull**
Rated line pull of 133.4kN on first layer
- **EN 14492-1 compliant**
- **Good recovery speeds**
Up to 8.5m per minute on 4th layer
- **Air shift freespool clutch** with remote activation and positive engagement indicator light.
- **Bi-rotational drum**
Clockwise and counter clockwise as required
- **Wedge pocket rope anchor on drum**
Major safety benefit - prevents rope release from drum fixing
- **Heavy duty roller guide assembly**
With greaseways and large diameter rollers
- **Heavy duty mounting rails**
70 x 50 x 10mm mild steel angles supplied with winch
- **Weight 261kg**
320kg with roller guides, mounting plates and wire rope
- **After sales service**
Technical advice given on winch fitting and component replacement, plus efficient overnight parts despatch and fast repairs.

ADDITIONAL EQUIPMENT & SERVICES

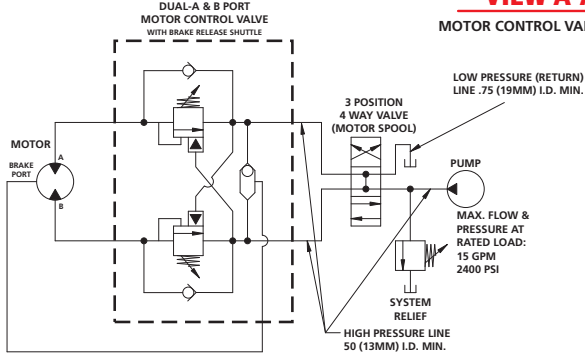
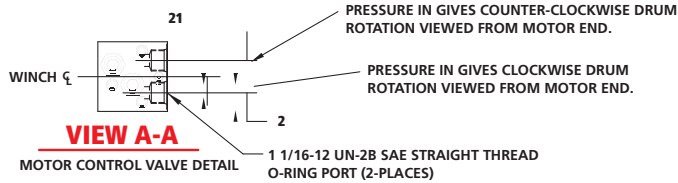
- Radio control system to give flexibility in operating the winch up to 40m distance.
- Wire Rope – up to 50m x 20mm dia. (1960N/mm² grade) fully galvanised flexible, crush resistant with heavy duty safety hook.
- Heavy duty electric / pneumatic control valve with manual lever, including 7m wanderlead control, heavy duty 16 amp socket, electrical control system with all wiring in Armaflex protection. Also includes dump valve with emergency stop button ensuring compliance with EU machinery directives.
- Hydraulic oil reservoir tank with filter sight gauge and filler cap, PTO and pump.
- Full or partial fitting can be provided, including load testing and certification.

SECURE WIRE ROPE ANCHORAGE





BRASS COMPRESSION FITTING WITH TAPERED SLEEVE FOR 1/4" DIAMETER TUBING AIR PRESSURE FOR TENSIONER 3,4 - 6,2 BAR (50-90 PSI)



SPECIFICATIONS

- Rated Line Pull:** 133.4kN (13,600kgf). EN 14492-1 compliant
- Line Speed:** 5.5m/min at 56.7 l/min on first layer, up to 8.5m/min on 4th layer
- Wire Rope Capacity:** 20mm diameter x 50m length
(1960N/mm² grade, 6 x 36 wire core construction - recommended)
- Weight:** Weight of machine: 261kg.
Weight of kit with roller guides and rope: 320kg
- Gear Reduction:** 32:1
- Winch Construction:** Die cast aluminium end housings with steel drum
- Brake:** Self braking through gearbox
- Motor:** Low speed, high torque. 195cc/rev
- Freespooling:** Air activated clutch using remote switch with engagement indicator light
- Drum:** 180mm diameter x 425mm length
with wedge pocket rope anchor. Flange diameter 400mm
- Drum Rotation:** Clockwise, or anti-clockwise as required
- Roller Guides:** Heavy duty commercial type with large diameter rollers and greaseways
- Mounting Rails:** 70 x 50 x 10mm mild steel angle - supplied with winch

NOTE: An open centre motor spool type control valve must be used (all ports open to tank in neutral).

NOTES

These winches must not be used for the movement of personnel and 5 wraps of wire rope must be maintained on the drum.

Data shown is approximate and intended as a guide only.

HYDRAULIC PERFORMANCE

WARRANTY

Each new winch is guaranteed against defects in workmanship and material defects for a period of twelve months from date of purchase.

Wire ropes are not included under warranty.